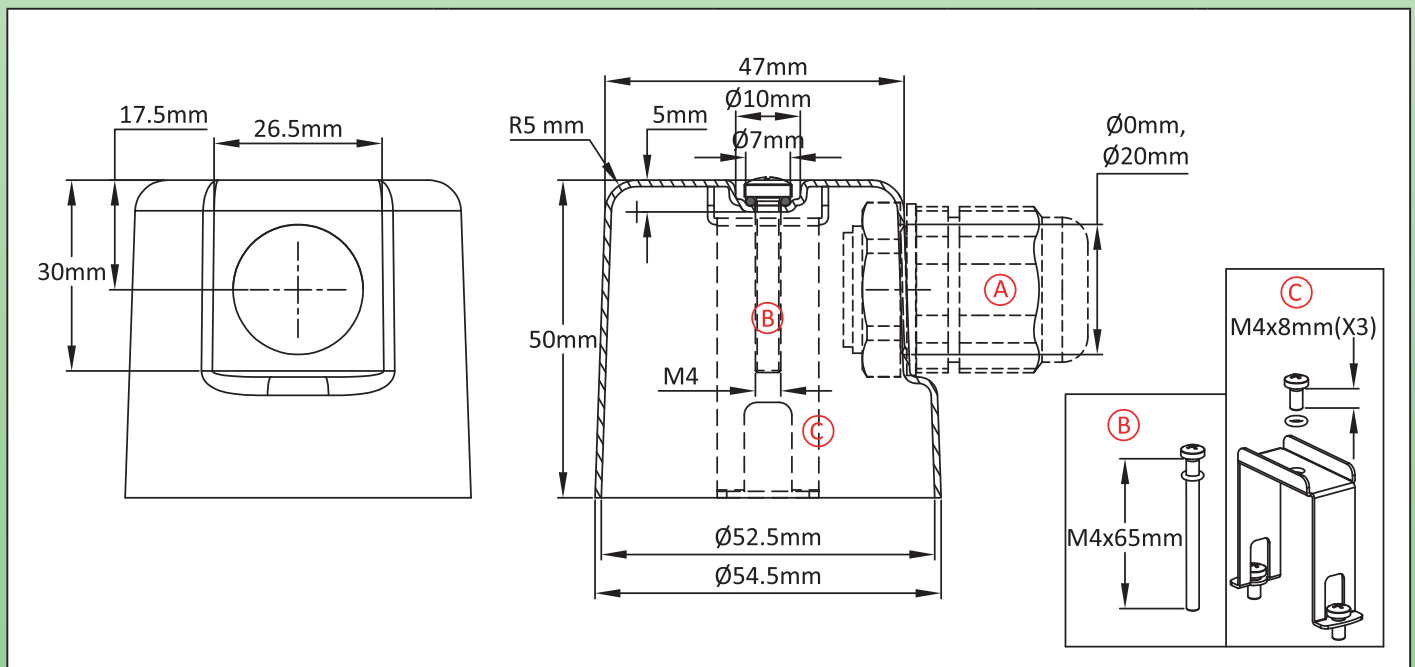


## Round miniature simplified immersion heater enclosure

Size(mm)	Volume(cm <sup>3</sup> )	Material	Protection grade		Model
<b>Dia. 54 x 50</b>	<b>105</b>	<b>stainless steel</b>	<b>IP69K</b>	<b>IK7</b>	<b>Y3K1</b>




Suitable for	
<input type="checkbox"/> Temperature sensor <input checked="" type="checkbox"/> Immersion heater <input type="checkbox"/> Finned heater <input type="checkbox"/> Thermostat <input type="checkbox"/> Level sensor <input type="checkbox"/> Electronic board	



### Main references

(A)(mm)	(B)	(C)	304	316
0	✓	✗	Y3K1000100001008	Y3K1000100001009
20	✓	✗	Y3K1000112001008	Y3K1000112001009
0	✗	✓	Y3K10001000E1008	Y3K10001000E1009
20	✗	✓	Y3K10001120E1008	Y3K10001120E1009
0	✗	✗	Y3K1000100000008	Y3K1000100000009
20	✗	✗	Y3K1000112000008	Y3K1000112000009

### Links

	Page (.pdf)
	Drawing 2D (.dwg)
	Drawing 3D (.stp)

Cable gland not included in these reference, consult us if you want them.  
 Red dimensions inside rectangular frames are used for accessories assembly.

